

Standard Configurations

- Overload Sensor and Alarm
- Tilt/Slope Sensors and Alarm
- Self-closing Gate
- Lanyard Points
- Descent Protection and Alarm
- Full Height Drive
- Intelligent Diagnostic System
- AC Platform Power (GFCI)
- Proportional Control
- Wind Rating Stickers

ANSI A92.20 Telescopic Boom Lifts



LGMG

LGMG North America Inc.

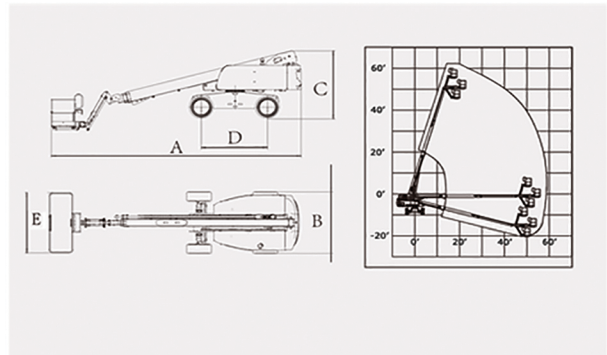
DEUTZ DIESEL MOTOR DRIVE

T65J Telescopic Boom Lift (Indoor/Outdoor)

- Strong power flow with exceptional functionality for climbing slopes and designed to be tough with powerful performance
- Equipped with pressure sensors to ensure precise weights and increased operator safety
- CAN bus communication system with simple wiring for increased reliability and easy troubleshooting and repair
- An advanced control system provides machine status updates, diagnosis, capabilities, and the ability to perform adjustments online and remotely



Product Specifications	T65J
Platform Capacity	551 lbs
Platform Occupants (Indoor/Outdoor)	2/2
Platform Height (Full Extension)	65'
Horizontal Outreach	56' 5"
Below Grade Reach	8' 11"
Machine Length	31' 8"
Machine Width	8' 2"
Machine Height (Stowed)	9' 1"
Wheelbase	8' 3"
Ground Clearance - Center	1' 3"
Platform Size	71" x 30"
Platform Rotator	360°
Drive Speed (Lowered)	3 Mph
Drive Speed (Elevated Max Height)	0.7 Mph
Drive Mode	4x4
Gradeability (4WD)	45%
Max Slope/Tilt	2.5°/4.5°
Max Wind Speed	28 Mph
Turntable Type	Continuous
Turning Radius (Inside)	8' 2"
Turning Radius (Outside)	18' 2"
Power Source	Deutz D2.9L4
Machine Weight	25,132 lbs



ANSI A92.20 Compliant



LGMG North America Inc.

Address: 1445 Sheffler Drive, Chambersburg PA 17201

Email: sales@lmgna.com

Local Sales Contact:

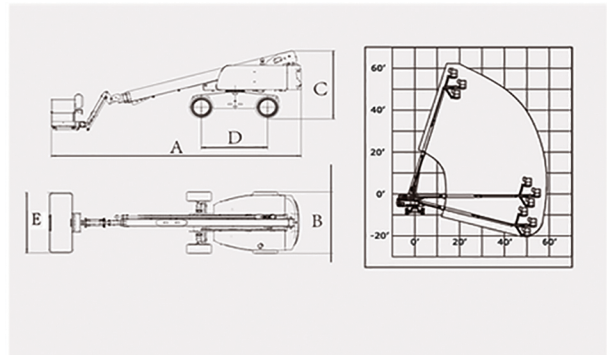
DEUTZ DIESEL MOTOR DRIVE

T85J Telescopic Boom Lift (Indoor/Outdoor)

- Strong power flow with exceptional functionality for climbing slopes and designed to be tough with powerful performance
- Equipped with pressure sensors to ensure precise weights and increased operator safety
- CAN bus communication system with simple wiring for increased reliability and easy troubleshooting and repair
- An advanced control system provides machine status updates, diagnosis, capabilities, and the ability to perform adjustments online and remotely



Product Specifications	T85J
Platform Capacity	551 lbs
Platform Occupants (Indoor/Outdoor)	2/2
Platform Height (Full Extension)	85'
Horizontal Outreach	76' 6"
Below Grade Reach	9' 6"
Machine Length	41' 4"
Machine Width	8' 2"
Machine Height (Stowed)	9' 5"
Wheelbase	9' 4"
Ground Clearance - Center	1' 5"
Platform Size	96" x 36"
Platform Rotator	360°
Drive Speed (Lowered)	3 Mph
Drive Speed (Elevated Max Height)	0.7 Mph
Drive Mode	4x4
Gradeability (4WD)	45%
Max Slope/Tilt	2.5°/4.5°
Max Wind Speed	28 Mph
Turntable Type	Continuous
Turning Radius (Inside)	12'
Turning Radius (Outside)	21' 6"
Power Source	Deutz D2.9L4
Machine Weight	39,683 lbs



ANSI A92.20 Compliant



LGMG North America Inc.

Address: 1445 Sheffler Drive, Chambersburg PA 17201

Email: sales@lmgna.com

Local Sales Contact: