

# LGMG

## M1230TE

### VERTICAL MAST LIFTS

- Narrow chassis, low stowed height, can be transported easily through doorways and in passenger elevators.
- Small inside turning radius allows for flexible use in narrow spaces, improving work efficiency.
- Three-stage integrated rotatable telescopic oil cylinder, reliable and durable.
- Intelligent self-diagnostic system for quick troubleshooting.



# LGMG Vertical Mast Lifts

## SPECIFICATIONS

| Models                             | M1230TE ( M0407TE ) |            |
|------------------------------------|---------------------|------------|
| Measurements                       | Imperial            | Metric     |
| Working Height Max.                | 18'8"               | 5.7m       |
| Platform Height(Raised)            | 12'2"               | 3.7m       |
| Platform size                      | 52"x30"             | 1.33x0.75m |
| <b>A</b> Overall length            | 4'7"                | 1.39m      |
| <b>B</b> Overall width             | 2'6"                | 0.76m      |
| <b>C</b> Overall height (Stowed)   | 5'6"                | 1.69m      |
| <b>D</b> Wheelbase                 | 3'5"                | 1.04m      |
| <b>E</b> Ground clearance (Stowed) | 3"                  | 72mm       |

### Productivity

|                         |                    |           |
|-------------------------|--------------------|-----------|
| Max. Platform Occupants | 1(in) / 0(out)     |           |
| Platform Capacity       | 507 lbs            | 230kg     |
| Drive Mode              | Front wheels drive |           |
| Drive speed (Stowed)    | 2.5mph             | 4km/h     |
| Drive speed (Rised)     | 0.37mph            | 0.6km/h   |
| Gradeability            | 25%                | 25%       |
| Tire size               | 13"x4"             | 323x100mm |

### Power

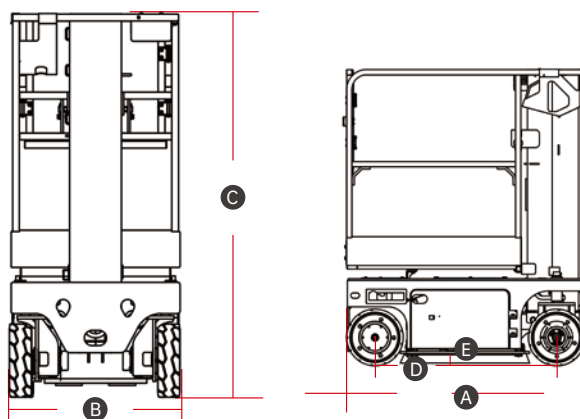
|                     |           |       |
|---------------------|-----------|-------|
| Power Source        | 24V 145Ah |       |
| Machine Weight (CE) | 1720 lbs  | 780kg |

### STANDARD FEATURES

|                      |   |
|----------------------|---|
| Proportional control | Emergency stop device                   |
| Horn/Hour meter      | Manual brake release                    |
| Double swing gate    | Charging protection system              |
| Emergency descent    | Descent alarm with flashing beacon      |
| Pothole guard        | Front wheel brake                       |
| Full-height drive    | Front wheel steering, front wheel drive |
| Tilt alarm           | Telematics connector                    |
| Platform tool box    | Solid non-marking tires                 |

### OPTIONAL

|                      |                             |
|----------------------|-----------------------------|
| AC power to platform | Biodegradable hydraulic oil |
| Telematics           |                             |



Please contact LGMG or a local dealer for more details.

LGMG reserves the right to change technical data without prior notice. All photos and pictures in this brochure are for promotional purposes only.

This brochure comes into effect in May, 2023.

### LINGONG HEAVY MACHINERY CO., LTD.

Address: No. 2676, Kejia Road, Jinan, Shandong, China

Email: sales@lmgm.com.cn Tel: +86 531 6787 9283

### LGMG Europe B.V.

Address: Donker Duyvisweg 301, 3316 BL Dordrecht, The Netherlands

Email: sales@lmgmeurope.com Tel: +31 850 642 777

### LGMG North America Inc.

Address: 4105 Live Oak Drive, Suite 100, The Colony, Texas 75056 United States

Email: sales@lmgmna.com Tel: +1 833 288 5464

www.lmgmlifts.com



**LGMG**  
RELIABILITY IN ACTION