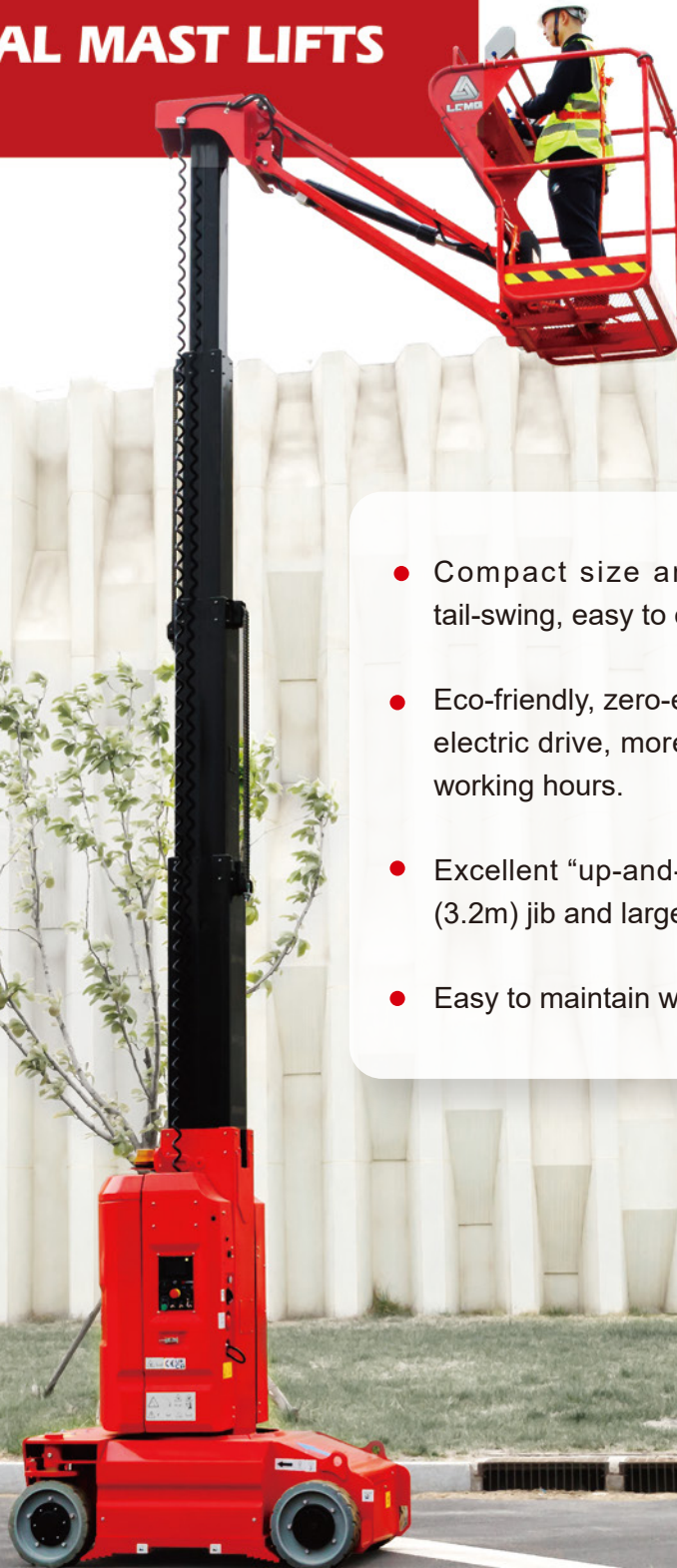


# LGMG

## M2640JE

### VERTICAL MAST LIFTS



- Compact size and light-weight, zero tail-swing, easy to operate and transport.
- Eco-friendly, zero-emission, highly efficient electric drive, more productive with longer working hours.
- Excellent “up-and-over” capability, 10’ 6” (3.2m) jib and larger working envelope.
- Easy to maintain with lower cost of repairs.

# LGMG Vertical Mast Lifts

## SPECIFICATIONS

Models	M2640JE ( M0810JE )	
Measurements	Imperial	Metric
Working Height Max.	32'10"	10m
Platform Height(Raised)	26'3"	8m
Horizontal Outreach	10'6"	3.2m
Up and Over Clearance Max.	21'8"	6.6m
Platform Size(L×W)	39"×28"	0.98×0.72m
<b>A</b> Overall Length	8'6"	2.6m
<b>B</b> Overall Width	3'3"	1m
<b>C</b> Overall Height(Stowed)	6'6"	1.99m
<b>D</b> Wheelbase	3'11"	1.2m
<b>E</b> Ground Clearance	4"	0.1m

### Productivity

Max. Platform Occupancy	2 (in) / 1 (out)	
Platform Capacity	440 lbs	200kg
Drive Mode	Rear Wheel	
Brakes	Rear Wheel	
Turntable Rotation	345°	345°
Max. Drive Speed (Stowed)	3mph	5km/h
Max. Drive Speed (Raised)	0.27mph	0.43km/h
Gradeability	25%	25%
Tailswing	0	0
Tire Size	15"×5"	380×130mm

### Power

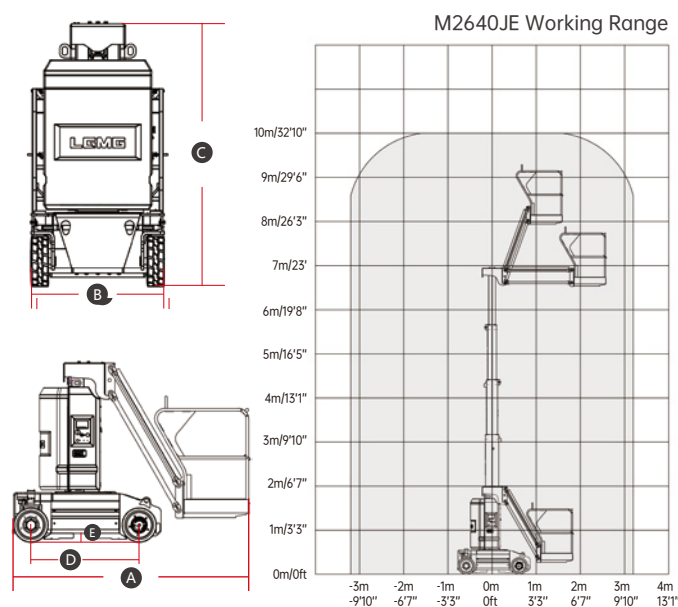
Power Source	24V 250Ah	
Hydraulic Oil Capacity	1.7gal	6.5L
Machine Weight (CE/ANSI)	5997 lbs	2720kg

### STANDARD FEATURES

Proportional control	Emergency stop device
Horn/Hour meter	Charge protection system
Full-height drive	Manual emergency pump
All motions alarm	Telematics connector
Brake release	Descent alarm with flashing beacon
Emergency descent	Solid non-marking tires
Tilt alarm	

### OPTIONAL

AC power to platform	Anti-collision protection
Telematics	Biodegradable hydraulic oil



Please contact LGMG or a local dealer for more details.

LGMG reserves the right to change technical data without prior notice. All photos and pictures in this brochure are for promotional purposes only. This brochure comes into effect in May, 2023.

### LINGONG HEAVY MACHINERY CO., LTD.

Address: No. 2676, Kejia Road, Jinan, Shandong, China  
 Email: sales@lmgm.com.cn Tel: +86 531 6787 9283

### LGMG Europe B.V.

Address: Donker Duyvisweg 301, 3316 BL Dordrecht, The Netherlands  
 Email: sales@lmgmeurope.com Tel: +31 850 642 777

### LGMG North America Inc.

Address: 4105 Live Oak Drive, Suite 100, The Colony, Texas 75056 United States  
 Email: sales@lmgmna.com Tel: +1 833 288 5464

www.lmgglifts.com



**LGMG**  
 RELIABILITY IN ACTION