

LGMG

T85J-H

TELESCOPIC BOOM LIFT

LGMG has a complete line of engine-driven, high-capacity telescopic boom aerial work platforms, with the maximum working height ranging from 71'6" to 97'9" (21.8/29.8m). With a double capacity design of 992/661lbs (450/300kg), the machine can allow up to 3 people to work at the same time both indoors and outdoors, which greatly improves work efficiency.

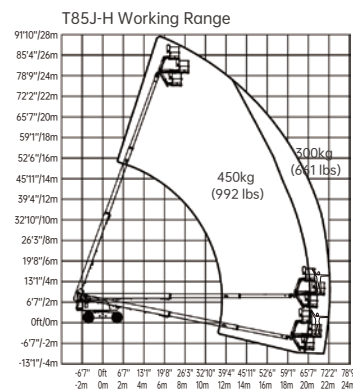
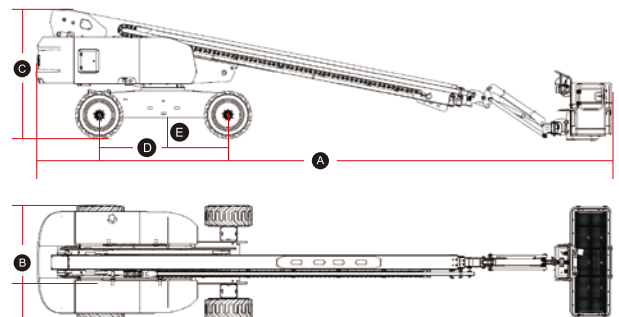


LGMG Diesel Telescopic Boom Lift

SPECIFICATIONS

MODELS	T85J-H (T26J-H)	
Measurements	Imperial	Metric
Work Height Max.	91'6"	27.9m
Platform Height Max.	85'	25.9m
Horizontal Outreach Max.	70'10"	21.6m
Platform Length	8'	2.44m
Platform Width	2'11"	0.9m
A Stowed Length	41'9"	12.72m
Length-Transport (jib tucked)	36'1"	11m
B Overall Width	8'2"	2.5m
C Stowed Height	9'3"	2.83m
Height-Transport	9'11"	3.03m
D Wheelbase	9'4"	2.85m
E Ground Clearance	1'5"	0.43m
PRODUCTIVITY		
Max. Platform Occupants	2 (unrestricted) / 3 (restricted)	
Platform Capacity (unrestricted)	661 lbs	300kg
Platform Capacity (restricted)	992 lbs	450kg
Turntable Rotation	360°Continuous	
Drive Speed-Stowed	3mph	4.8km/h
Drive Speed-Raised	0.5mph	0.8km/h
Gradeability	45%	45%
Max. Wind Speed	28mph	12.5m/s
Turning Radius-Inside	12'	3.66m
Turning Radius-Outside	21'6"	6.55m
Max.Slope	5°/5°	5°/5°
Tire Type	RT Foam-filled	
Tire Size	18-625	18-625
POWER		
Power	Deutz TD2.9L4 / Kubota V3307	
Fuel Tank Capacity	26.4gal	100L
HYDRAULIC SYSTEM		
Hydraulic Oil Volume	47.5gal	180L
WEIGHT		
Machine Weight (CE/ANSI)	40345 lbs	18300kg

STANDARD FEATURES	
Proportional control	Emergency stop button
Horn/Hour meter	Auto-leveling platform
Flashing beacons	Anti-collision protection
Cylinder bellows	Over-tilt protection system
Platform tool box	Platform control cover
Oscillating axle	Overload sensing system
Telematics connector	Intelligent diagnostic system
RT Foam-filled tires	Descent alarm with flashing beacon
OPTIONAL	
Telematics	Foam-filled non-marking tires
AC power to platform	Half-height mesh platform
Hydraulic oil radiator	Hydraulic generator kit
Cold weather package	12kw Hydraulic generator
Glazier kit	Biodegradable hydraulic oil
Auxiliary rail	



Please contact LGMG or a local dealer for more details.

LGMG reserves the right to change technical data without prior notice. All photos and pictures in this brochure are for promotional purposes only.

This brochure comes into effect in May, 2023.

LINGONG HEAVY MACHINERY CO., LTD.

Address: No. 2676, Kejia Road, Jinan, Shandong, China

Email: sales@lmgm.com.cn Tel: +86 531 6787 9283

LGMG Europe B.V.

Address: Donker Duyvisweg 301, 3316 BL Dordrecht, The Netherlands

Email: sales@lmgmeurope.com Tel: +31 850 642 777

LGMG North America Inc.

Address: 4105 Live Oak Drive, Suite 100, The Colony, Texas 75056 United States

Email: sales@lmgmna.com Tel: +1 833 288 5464

www.lmgmlifts.com



LGMG
RELIABILITY IN ACTION