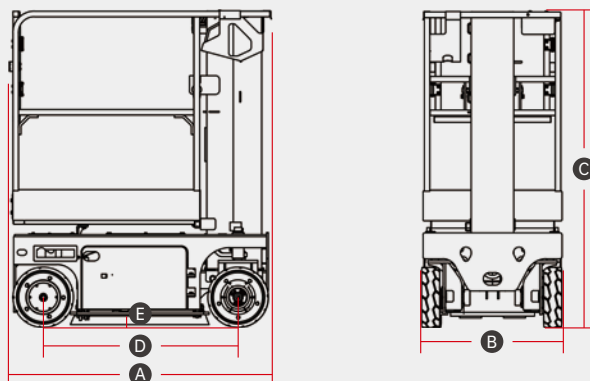
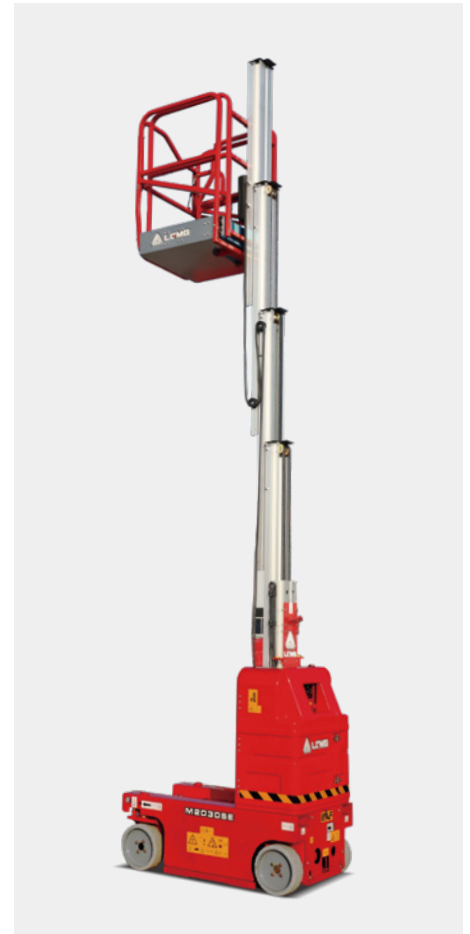


# M1230TE/M2030SE

## VERTICAL MAST LIFTS

### SPECIFICATIONS

MODELS	M1230TE	M2030SE
Measurements	Imperial	Imperial
Working Height Max.	18'8"	26'3"/22'4" (in / out)
Platform Height (Raised)	12'2"	19'8"/15'9" (in / out)
Platform Size (LxW)	52"x30"	31"x30"
<b>A</b> Overall Length	4'7"	4'7"
<b>B</b> Overall Width	2'6"	2'6"
<b>C</b> Overall Height (Stowed)	5'6"	6'6"
Extension Deck	/	1'8"
<b>D</b> Wheelbase	3'5"	3'6"
<b>E</b> Ground Clearance	3"	2"
<b>PRODUCTIVITY</b>		
Max. Platform Occupancy (in/out)	1 / 0	1 / 1
Platform Capacity	507 lbs	352 lbs
Platform Capacity - Extension	/	352 lbs
Drive Mode	Front-wheels Drive	Front wheels Drive
Brakes	Front-wheels Brake	Front-wheels Brake
Max. Drive Speed (Stowed)	2.5mph	1.9mph
Max. Drive Speed (Raised)	0.31mph	0.5mph
Gradeability	25%	25%
Tire Size	13"x4"	12"x4"
Ground Pressure, Tyres	118.1 psi	123.3 psi
<b>POWER</b>		
Power Source	24V (2x12V),145Ah,AGM	24V (2x12V),100Ah,AGM
<b>HYDRAULIC SYSTEM</b>		
Hydraulic Oil Capacity	1.5gal	1.3gal
<b>WEIGHT</b>		
Machine Weight (ANSI)	1,742 lbs	2,579 lbs



# M2640JE

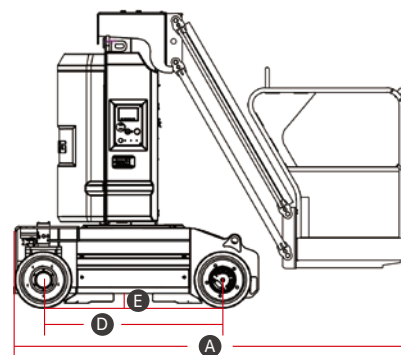
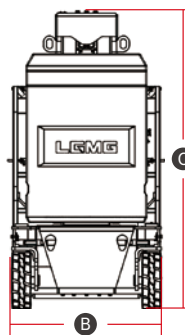
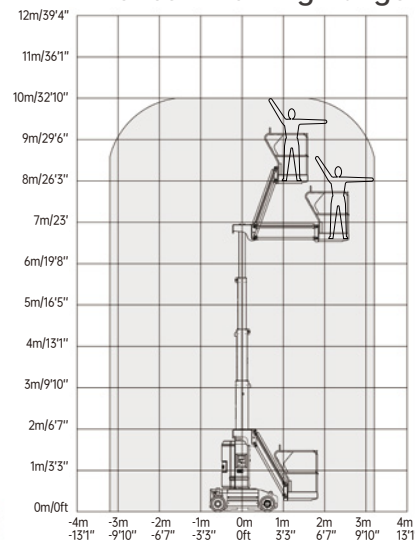
## VERTICAL MAST LIFTS

### SPECIFICATIONS

MODELS	M2640JE
Measurements	Imperial
Working Height Max.	32'10"
Platform Height (Raised)	26'3"
Horizontal Outreach	10'6"
Up and Over Clearance Max.	21'8"
Platform Size (LxW)	39"x28"
<b>A</b> Overall Length	8'6"
<b>B</b> Overall Width	3'3"
<b>C</b> Overall Height (Stowed)	6'6"
<b>D</b> Wheelbase	3'11"
<b>E</b> Ground Clearance	4"
PRODUCTIVITY	
Max. Platform Occupancy (in/out)	2 / 1
Platform Capacity	440 lbs
Drive Mode	Rear-wheels Drive
Brakes	Rear-wheels Brake
Turntable Rotation	345°
Max. Drive Speed (Stowed)	2.2mph
Max. Drive Speed (Raised)	0.27mph
Gradeability	25%
Tailswing	0
Tire Size	15"x5"
Ground Pressure, Tyres	196.2 psi
POWER	
Power Source	24V,250Ah,FLA
HYDRAULIC SYSTEM	
Hydraulic Oil Capacity	1.7gal
WEIGHT	
Machine Weight (ANSI)	5,997 lbs



M2640JE Working Range



Please contact LGMG or a local dealer for more details.

LGMG reserves the right to change technical data without prior notice. All photos and pictures in this brochure are for promotional purposes only.

#### LINGONG HEAVY MACHINERY CO., LTD.

Address: No. 2676, Kejia Road, Jinan, Shandong, China  
 Email: sales@lmgm.com.cn Tel: +86 531 6787 9283

#### LGMG North America Inc.

Address: 4105 Live Oak Drive, Suite 100, The Colony, Texas 75056 United States  
 Email: sales@lmgna.com Tel: +1 833 288 5464

www.lmgglifts.com

